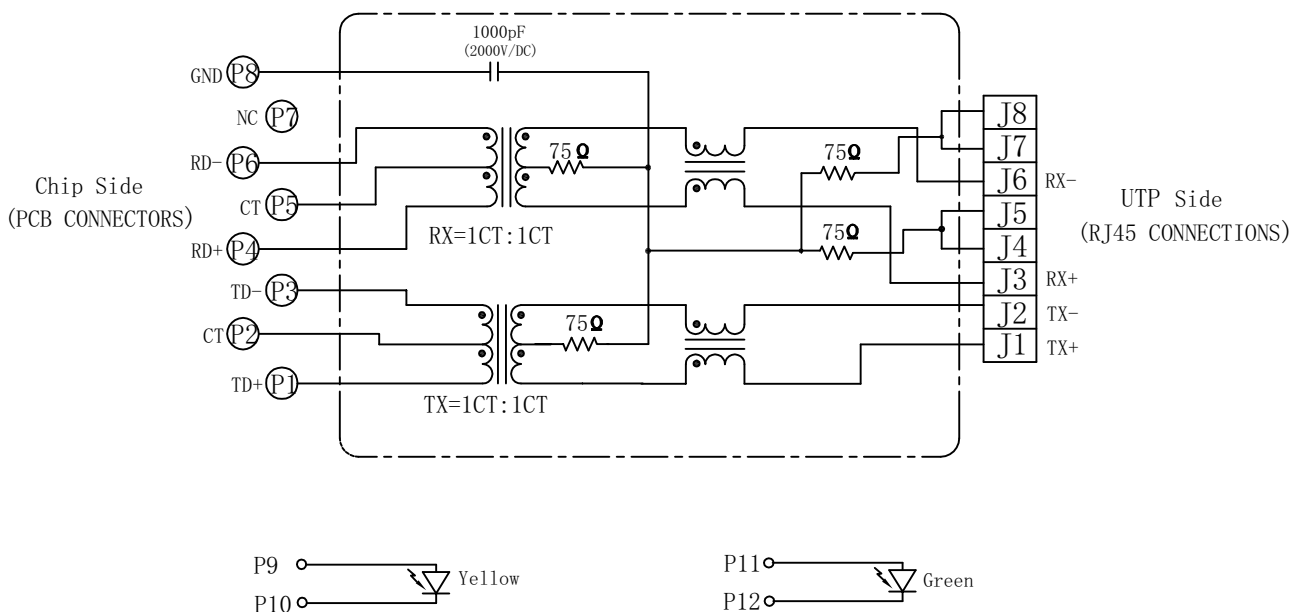


Single Port RJ45 Connector
With 10/100 Base-T Magnetics Module

Electrical Specifications @25°C/65%RH

1. Isolation Voltage: 1500V/AC(Chip Side to UTP Side)
2. OCL:350uH Minimum @100KHz 100mV with 8mA DC
3. Insertion Loss: -1.1dB Maximum @100KHz-100MHz
4. Return Loss: -18dB Minimum @1MHz-30MHz
 -14dB Minimum @30MHz-60MHz
 -12dB Minimum @60MHz-80MHz
5. Common Mode Rejection: -40dB Minimum @1MHz-30MHz
 -35dB Minimum @30MHz-60MHz
 -30dB Minimum @60MHz-100MHz
6. Cross Talk: -40dB Minimum @1MHz-30MHz
 -35dB Minimum @30MHz-60MHz
 -30dB Minimum @60MHz-80MHz

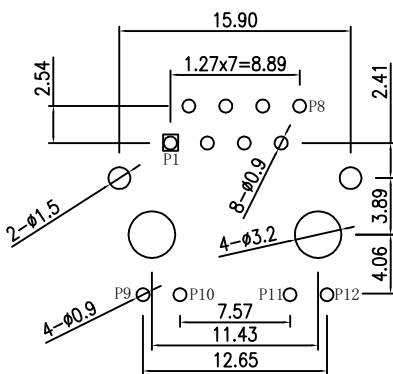
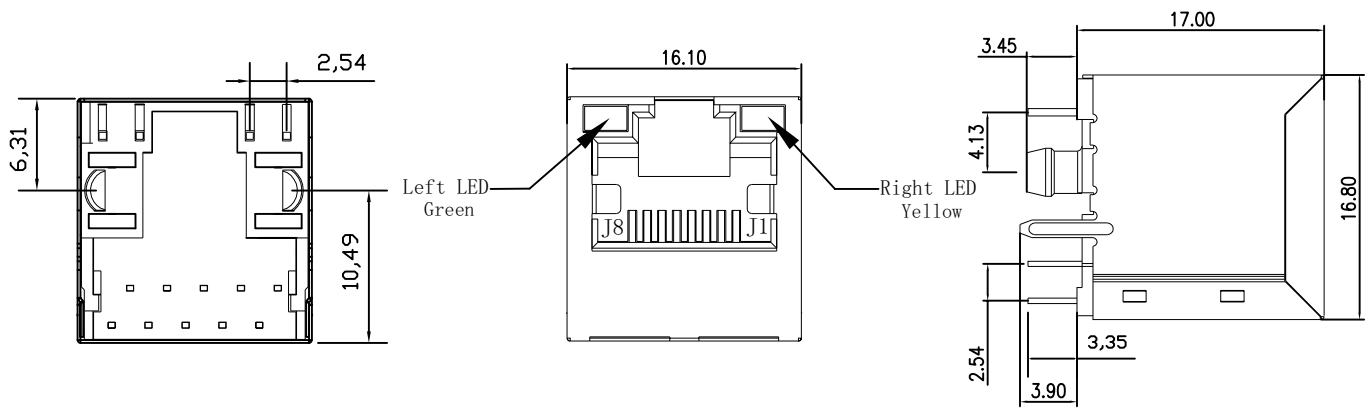
Schematics:



Single Port RJ45 Connector
With 10/100 Base-T Magnetics Module

- ROHS Compliant (Pb Free)
- Meets or exceeds IEEE802.3 Standards including 350uH Min OCL with 8mADC
- High performance for EMI suppression, Crosstalk, Return Loss and Consistent Electrical
- Minimum 1500Vrms isolation per IEEE802.3 requirement
- Minimize PCB space and Simplify PCB Layout
- Less magnetic components to be placed on PCB, higher reliability and yields

Mechanical Dimensions:



P.C.B RECOMMENDED HOLE LAYOUT SEEN FROM COMPONENT SIDE.
ALL CENTERLINE DIMENSIONS ARE BASIC

| LED Specification | | | | |
|-------------------|------------|---------------------|-----------|------------|
| Standard LED | Wavelength | Forward V (Min/Max) | Forward A | Type |
| Green | 568nm | 1.8V/2.8V | 20mA | squareness |
| Yellow | 585nm | 1.8V/2.8V | 20mA | squareness |

- Connector Material:
Housing: Thermoplastic UL94 V-0
Contact/Shield: Cooper alloy
Shield Plating: Nickel
Contact Plating: Selective gold 6u" Min
- Tolerances comply with F.C.C dimension requirements
- Durability: 800 mating Min

Dimensions in mm

Unless otherwise specified, Tolerance: .XX ±0.25